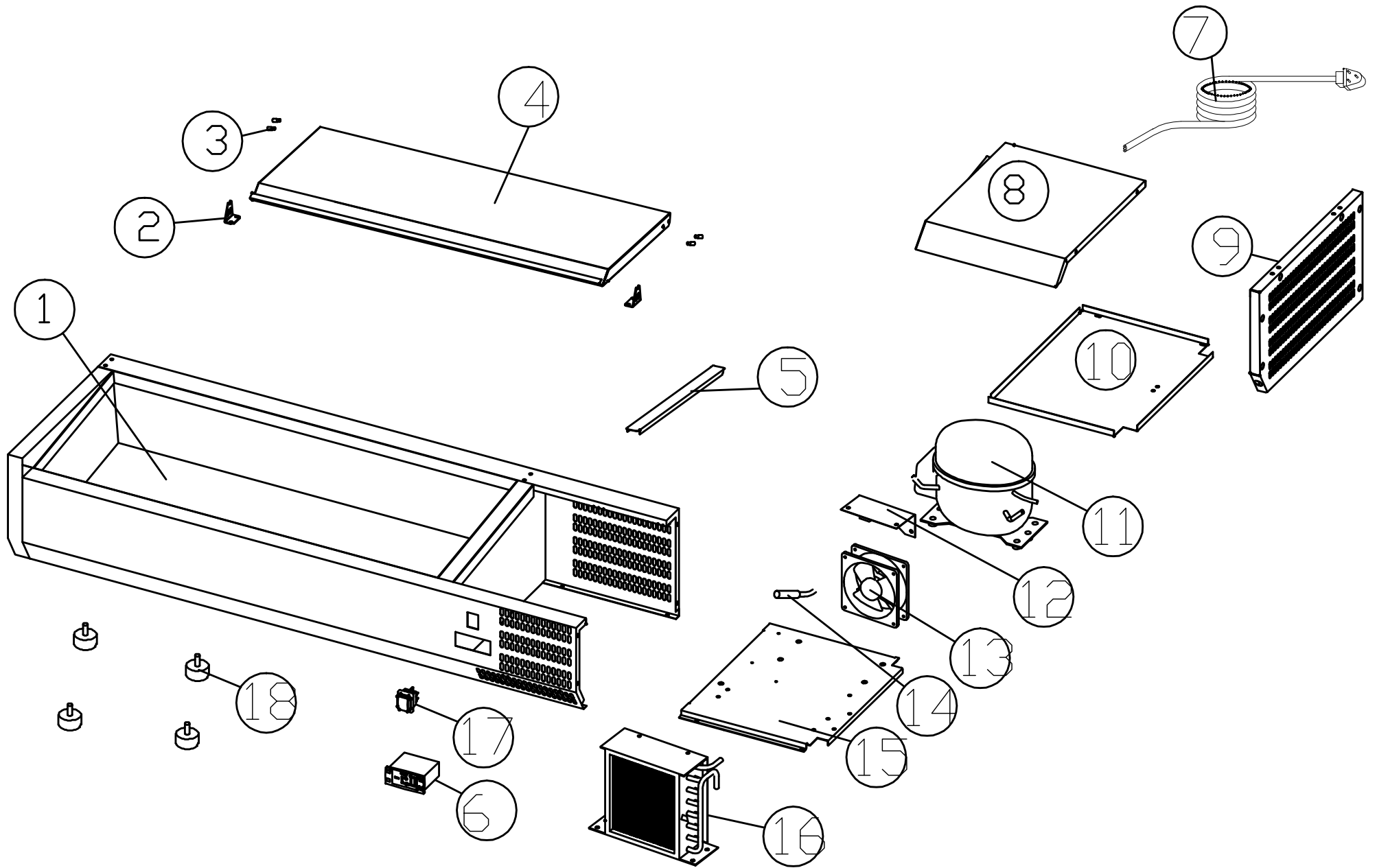


VRXH1200/380 SS LID



C-VRXH1200\380 SS LID SPARE PARTS LIST

	CODE	CODE L2G	Name	Désignation	DESCRIPTION	UNIT	QTY	REMARK
1	SKC-0-000-0371-0	#N/A	BODY	CORPS		SET	1	
2	SKC-2-001-0273-0	#N/A	COVER HINGE/LEFT	CHARNIERE GAUCHE DU COUVERCLE	304#	PC	1	
	SKC-2-001-0526-0	#N/A	COVER HINGE/RIGHT	CHARNIERE DROITE DU COUVERCLE	304#	PC	1	
3	SKC-2-170-0211-0	BBT350L.31	Cover hinge axis	AXE DE CHARNIERE DU COUVERCLE		PC	4	
4	SKC-2-005-0109-0	#N/A	SS LID	COUVERCLE INOX	201#	PC	1	
5	SKC-2-005-1069-0	#N/A	PAN SUPPORT	SUPPORT BAC GASTRO	201#	PC	3	
6	SKC-4-030-0017-0	#N/A	THERMOSTAT	THERMOSTAT	DIXELL XR02CX-5N0C1	PC	1	
7	SKC-4-010-0111-0	#N/A	power core	CABLE D'ALIMENTATION ELECTRIQUE	EU	PC	1	
8	SKC-2-005-1059-0	#N/A	UNIT ROOM COVER	CACHE DE L'UNITE DE FROID	201#	PC	1	
9	SKC-2-005-1058-0	#N/A	SIDE COVER	CACHE LATERAL	201#	PC	1	
10	SKC-2-005-1057-0	#N/A	UNIT PLATE	PLAQUE	201#	PC	1	
11	SKC-4-040-0081-0	#N/A	COMPRESSOR	COMPRESSEUR	ZANUSII	PC	1	
12	SKC-2-005-0013-0	#N/A	FAN CONNECTION BOARD	PLAQUE DE CONNEXION DU VENTILATEUR		PC	1	
13	SKC-4-001-0026-0	BBT350L.47	CONDENSOR FAN	VENTILATEUR DU CONDENSEUR	4C-230HB	PC	1	
14	SKC-4-030-0005-0	#N/A	SENSOR	SONDE	1.5M	PC	1	
15	SKC-2-001-0136-0	#N/A	UNIT BOARD	PLAQUE		PC	1	
16	SKC-2-102-0013-0	#N/A	CONDENSER	CONDENSEUR		PC	1	
17	SKC-4-050-0001-0	GE800BT-6	MAIN SWICHT	BOUTON M/A		PC	1	
18	SKC-2-140-0011-0	#N/A	ADJUSTABLE FEET	VERINS DE REGLAGE		PC	4	